

# Modular Hi-Rise Series Fan Coils

UNIT CONFIGURATIONS



MPY

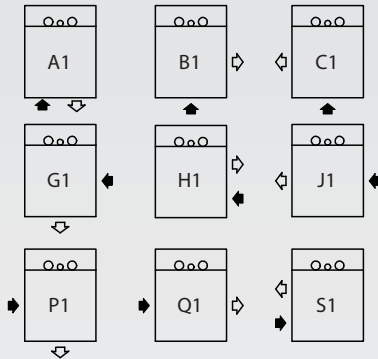
[www.iec-okc.com](http://www.iec-okc.com)

Modular Hi-Rise fan coil systems offer versatile unit arrangements made possible as a factory-assembled and integrated package. They are designed to be of low visual impact in the room, often positioned in a corner, along the perimeter wall or as part of a partition separating two areas. They can also stand alone in an exposed configuration.

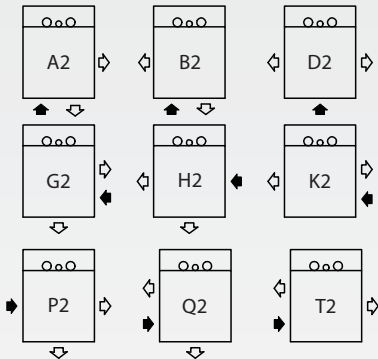
# Modular Hi-Rise Series Fan Coils

## UNIT CONFIGURATIONS

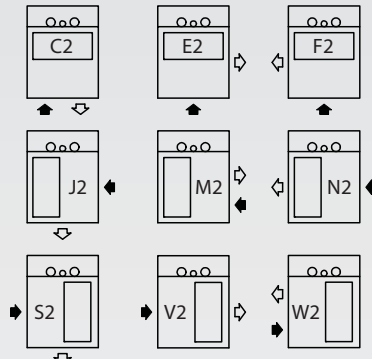
### SINGLE-SIDE SUPPLY



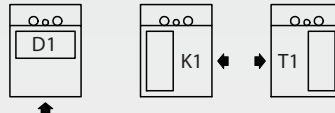
### DOUBLE-SIDE SUPPLY



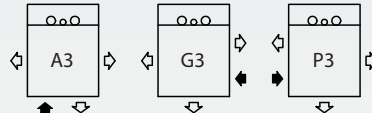
### TOP WITH ONE-SIDE SUPPLY



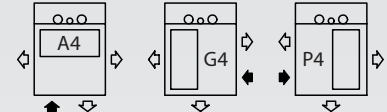
### TOP SUPPLY ONLY



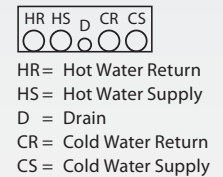
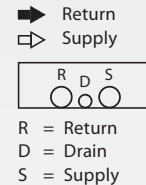
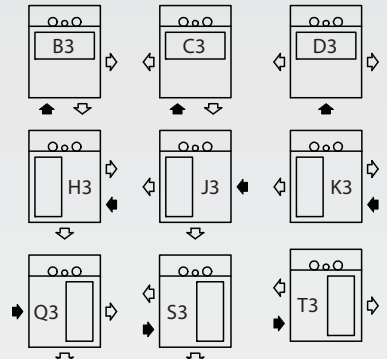
### THREE-SIDE SUPPLY



### TOP WITH THREE-SIDE SUPPLY



### TOP WITH TWO-SIDE SUPPLY



Unit Size	Supply Size in Inches (Millimeters)	
	Single*	Double and Three- Side
300	14" x 8" (356 x 203)	14" x 6" (356 x 152)
400	14" x 12" (356 x 305)	14" x 6" (356 x 152)
600	18" x 10" (457 x 254)	18" x 6" (457 x 152)
800	18" x 12" (457 x 305)	18" x 6" (457 x 152)
1000	22" x 16" (559 x 406)	22" x 8" (559 x 203)
1200	22" x 16" (559 x 406)	22" x 8" (559 x 203)

- NOTES:** \*
- 1. Single-side supply units are available with indicated supply openings on 88" (2235) tall cabinets only. Consult the factory for 79" (2007) tall cabinets.
  - 1. MXY models are available with front return only.
  - 2. Please contact IEC for information regarding product specifications and warranty information. Product specifications may change without notice.



IEC Flier Part Number: I100-90002116

FL-051 Revision 3

©2008 International Environmental Corporation (IEC)

IEC is a subsidiary of LSB Industries, Inc.

AMEX symbol LXU; www.lsb-okc.com

P.O. Box 2598  
 Oklahoma City, OK 73101-2598  
 p: 405.605.5000  
 f: 405-605.5001  
[www.iec-okc.com](http://www.iec-okc.com)