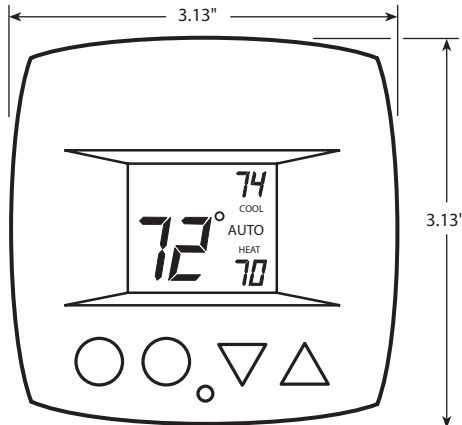




Non-Programmable Fan Coil Thermostat

Part Numbers: E055-71520301 with logo
E055-71520304 without logo



Features:

The IEC commercial non-programmable fan coil is perfect for low voltage control and provides the following features and benefits:

- 2- or 4-pipe operation
- 3 speed fan operation
- Single or dual set point option
- Large Thermoglow™ display
- Heating and cooling indicator light
- Zone temperature control to 1-degree accuracy
- Keypad lockout
- Dry contact for normally open or normally closed option
- Outside air temperature display
- Celsius or Fahrenheit display
- Display blanking feature
- Adjustable deadband
- Auto-changeover

Specifications:

Recommended Wiring	22 AWG (36 ft max) 18 AWG (100 ft max)
Operating Temperature F (C)	41 to 104 (5 to 40)
Storage Temperature F (C)	-40 to 135 (-40 to 57)
Operating Relative Humidity	0 to 95% (non-condensing)
Dimensions (In.)	4.8 x 4.3 x 1.1
Power	5 va at 24 vac, 60 Hz

AWG - American Wire Gauge

Features and Benefits:

IEC's commercial non-programmable low-voltage fan coil thermostat maintains room temperatures by controlling the operation of 2- or 4-pipe fan coil systems. These thermostats have separate heating and cooling set points with auto-changeover as standard features.

Batteries are not required. During power interruption, the internal memory stores settings for an unlimited time.

The thermostat has 3-speed fan operation capability and the option to show single or dual set points.

Year-round comfort is assured:

One-degree control accuracy precisely monitors the desired space temperature to within 1 degree of user set point by using a solid-state, laser-trimmed sensor.

Neverlost™ memory protection on the thermostat eliminates the need to reconfigure the thermostat after power outages so your configurations will remain intact indefinitely.

IEC's warranty ensures peace of mind.

Quick and easy configuration for both the display and the thermostat make adjustments easy. The backlit Thermoglow™ display is large and easy to read.

Agency Approvals:

Complies with FCC Part 15 rules. Thermostat does not cause harmful interference and accepts all interference received.

UL and UL, Canada approval. These thermostats are considered low voltage devices by UL and do not require UL approval. As an added assurance to the quality of the thermostats, these thermostats are UL listed.





Fan Coil Unit Non-Programmable Thermostat Guide Specifications

System Description:

24 V programmable, 2- or 4-pipe (or electric heat), room fan coil unit controller with digital display.

Quality Assurance:

Unit shall be tested and certified in accordance with FCC Part 15 for RF interference, is UL and UL Canada certified, and meets European Community standards.

Delivery, Storage and Handling:

Each unit shall be individually packaged from point of manufacture and shall be handled and stored in accordance with manufacturer's instructions.

Standard Equipment Features:

General:

The low-voltage, non-programmable digital thermostat shall be low-voltage capable of maintaining room temperature by controlling operation of an HVAC system.

Mounting:

Thermostat shall be wall-mounted, surface mounted, or unit mounted.

Standard Features:

Thermostat shall allow separate heating and cooling set points and auto-changeover as standard.

Configurations:

The thermostat shall accept several different equipment configurations/applications including single-stage heating and cooling, two stages of heating and cooling, or electric heating and hydronic systems.

Power:

Batteries shall not be required. During power interruption, the internal memory shall store user-defined default settings for an unlimited time.

Display:

The backlit thermostat display shall be large and easy to read with a single adjustment to show temperature in Celsius or Fahrenheit.

Settings:

- Thermostat shall have a solid-state, laser-trimmed sensor with one-degree control accuracy to precisely control the desired space temperature to within 1 degree of user set point.
- The thermostat shall have an auto-changeover with adjustable deadband to enable the user to choose separate heating and cooling set points (35°F to 99°F). This adjustable deadband shall be configurable to user's specifications (from 1° to 6°F) and in cycles per hour (2 to 6).

Other Features:

- For safety purposes, the front panel buttons shall be capable of being disabled to prevent unauthorized use of the thermostat.

Optional Features:

- Mounting plate and cover plate to allow thermostat to be mounted directly to wall or to standard 2" x 4" or 4" x 4" junction box.

Sequence of Operation

Four-Pipe Operation:

- The Mode button selects the operating mode of the thermostat. If Off is selected, the thermostat will not enter Heating or Cooling mode. If Heat is selected, the thermostat will only enter Heating mode (if the room temperature is below the heating set point). If Cool is selected, the thermostat will only enter Cooling mode (if the room temperature is above the cooling set point). If Auto is selected, the thermostat will enter Heating or Cooling mode based on the room's temperature and the heating and cooling set points.

Two-Pipe Operation:

- Heat Only – When the thermostat is configured for Heat Only operation, only the Heat and Off modes can be selected.
- Cool Only – When the thermostat is configured for Cool Only operation, only the Cool and Off modes can be selected.
- Heat/Cool with Changeover Sensor – When the thermostat is configured for operation with a changeover sensor, all the modes are available for operation. If the water temperature is changed during the year, the thermostat will automatically lock out the incorrect mode. Heat or Cool modes may not be available, depending on water temperature.

Total or Auxiliary Electric Heat:

The Mode button selects the operating mode of the thermostat. If Off is selected, the thermostat will not enter Heating or Cooling mode. If Heat is selected, the thermostat will only enter Heating mode (if room temperature is below the heating set point). For total electric heat, a call for heat will enable the electric heater. For auxiliary electric heat, a call for heat will either enable the electric heater (if chilled water is in the coil), or open the coil valve (if hot water is in the coil). If Cool is selected, the thermostat will only enter Cooling mode (if room temperature is above the cooling set point and chilled water is in the coil). If Auto is selected, the thermostat will enter Heating or Cooling mode based on the room's temperature and the heating and cooling set points.

Auto Changeover:

When the thermostat mode is set to Auto, the thermostat will provide automatic changeover from Heating or Cooling mode and Cooling to Heating mode when required. The thermostat will automatically switch to maintain the desired temperature setting. The thermostat does not need to be manually changed from heating to cooling or cooling to heating operation.

Fan Operation:

When only the Fan is in Auto mode, it will run continuously (unless thermostat mode is set to Off or thermostat is in unoccupied mode and heating or cooling are not active). The thermostat will increase or decrease the fan speed based on load conditions. Fan operation may also be set to always run at Low, Medium, or High speeds.

Dry Contact Switch/External Control:

- A dry contact switch is provided to allow an external device to force the thermostat into the unoccupied set points configured by the installer. When the thermostat is forced into unoccupied set points via the dry contact closure, the unoccupied icon will blink each second.
- In some applications, the dry contact switch may be configured to disable the fan, heating, and cooling from a condensate switch. If the condensate switch activates the dry contact, the fan coil unit will be deactivated instead of controlling to the unoccupied set points.

Outside Sensor:

Thermostat shall display outside temperature (if optional outdoor sensor is wired to thermostat).